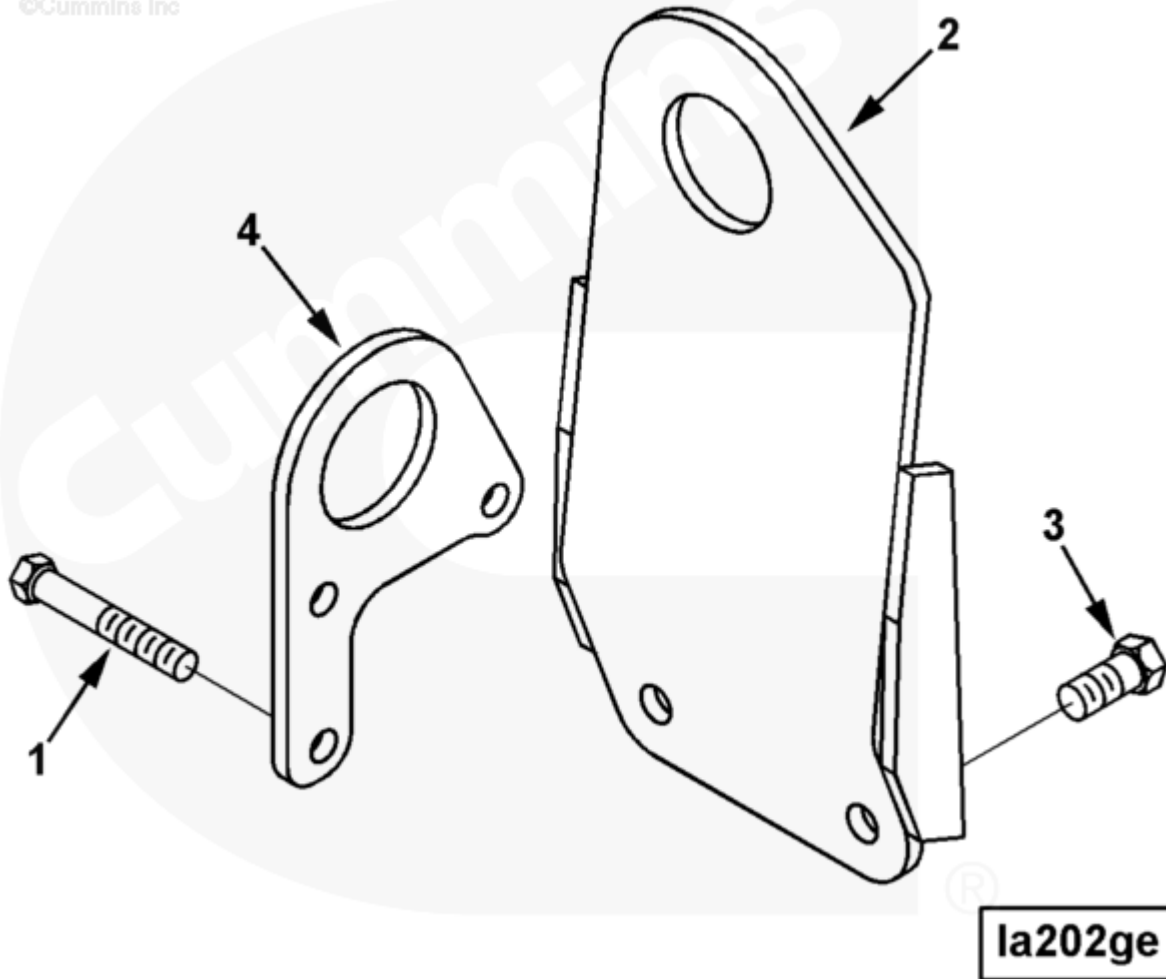




## Parts Catalog - Option Detail

| Electronic Parts Catalog - Option Detail |  |         |           |           |
|--|--|---------|-----------|-----------|
| Option                                   | Group  | Graphic | Film Card | Date      |
| LA2072-02                                | 17.06  | la202ge | II        | 03-APR-99 |
| <b>Engines</b>                           | ISM CM570, ISM CM570/870, ISM CM875, ISM CM876, ISM CM876 E, ISM11 CM876 M103, ISM11 CM876 SN, M11 CELECT, M11 CELECT PLUS, M11 MECHANICAL, QSM11 CM570, QSM11 CM876 |         |           |           |

©Cummins Inc



SMALL | MEDIUM | LARGE

| Cart         | Ref No | Part Number | Part Description    | Required | Remarks                      |
|--------------|--------|-------------|---------------------|----------|------------------------------|
| View My Cart |        |             |                     |          |                              |
|              |        | LA2072-02   | Lifting Arrangement |          |                              |
|              |        |             |                     |          | Lifting Arrangement          |
|              |        |             |                     |          | Engine Aspiration: Sea Water |
|              |        |             |                     |          | Aftercooled                  |

|                          |   |                         |                        |   |                               |
|--------------------------|---|-------------------------|------------------------|---|-------------------------------|
|                          |   |                         |                        |   | Front Lifting Brkt Loc: Front |
|                          |   |                         |                        |   | of Air Int Manif              |
|                          |   |                         |                        |   | Rear Brkt Vert Height: 194mm  |
|                          |   |                         |                        |   | (7.64")                       |
|                          |   |                         |                        |   | Rear Lifting Brkt Offset:     |
|                          |   |                         |                        |   | 14mm (0.55")                  |
|                          |   |                         |                        |   | Rear lifting Brkt Loc: Rear   |
|                          |   |                         |                        |   | of Cylinder Head              |
|                          |   |                         |                        |   |                               |
| <input type="checkbox"/> | 1 | <a href="#">3081345</a> | Hexagon Head Cap Screw | 3 | M10 x 1.50 x 65               |
| <input type="checkbox"/> | 2 | <a href="#">3335173</a> | Lifting Bracket        | 1 |                               |
| <input type="checkbox"/> | 3 | <a href="#">3893834</a> | Hexagon Head Cap Screw | 2 | M12 x 1.75 x 25               |
| <input type="checkbox"/> | 4 | <a href="#">4004426</a> | Lifting Bracket        | 1 |                               |